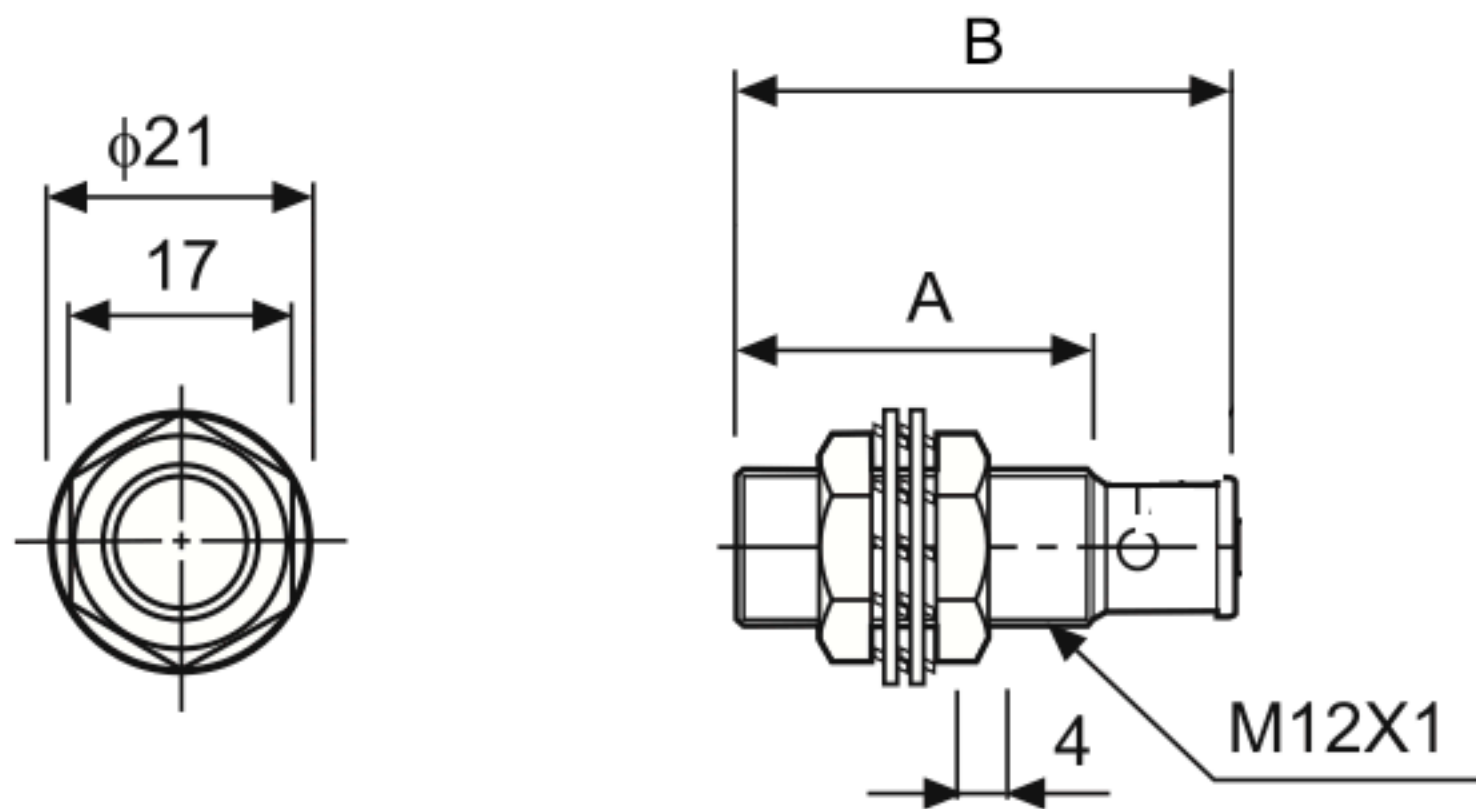


●M12



A = 27 mm

B = 50 mm

Diametro : 12 mm